



OPERATOR'S MANUAL

ACCU-CUT Q-7

Carpet and Vinyl Cut & Roll Machine

**For Parts or Service contact
Accu-Cut Support 1-800-222-8288**

Brockie International Inc. 28114 County Road 561, Tavares, Florida 32778
voice 800.527.7057 ♦ 352.742.0902 fax 352.742.0702
e-mail: info@accu-cut.com ♦ www.accu-cut.com

CONTENTS

- INTRODUCTION 3**
- SAFETY PRECAUTIONS 4**
- ABOUT THE MACHINE 5**
- OPERATING PROCEDURES 6**
 - Procedures for cutting**
 - Loading the material-----6
 - Unwrapping new & tightening loose rolls-----6
 - Positioning the material-----6
 - Roll improver -----7
 - Entering the cut length-----7
 - Setting the speed control-----7
 - Rolling up the material-----8
 - Monitoring the roll -----8
 - Cutting the material-----9
 - Wrapping the cut length-----9
 - Dumping the cut length -----10
 - Measuring roll balances**
 - How to-----10
 - Procedures for reverse rolling**
 - Rolling up the material-----11
 - A few words about reverse rolling-----11
- COUNTER OPERATING INSTRUCTIONS 12**
- PREVENTIVE MAINTENANCE 17**
- CIRCULAR CUTTER MAINTENANCE 18**
- TEST STRIP INSTRUCTIONS 19**
- ELECTRICAL DIAGRAM 20**

INTRODUCTION

Congratulations on the purchase of your Accu-Cut Q-7 carpet and vinyl cutting and rolling machine. Your Accu-Cut machine has been carefully engineered and manufactured to provide you with many years of dependable service and trouble free operation.

Proper operation and maintenance is essential to ensure precise and dependable operation of your Accu-Cut. We encourage you and your employees to read this manual carefully and become familiar with the operating and maintenance procedures for this machine.

This manual is designed to cover all areas of operation, maintenance, and troubleshooting in order to minimize problems. Always follow safety rules and precautions when operating or performing maintenance work on the machine.

Again, congratulations and thank you for choosing Brockie International to provide you with quality equipment and quality service. The confidence you and thousands of others have placed in us has helped to make Accu-Cut the most respected name in floor covering cutting equipment. Should you ever have any questions or concerns regarding your Accu-Cut please do not hesitate to contact us.

BROCKIE INTERNATIONAL, INC.

SAFETY PRECAUTIONS

In order to avoid personal injury, make sure the operator(s) and/or maintenance person(s) of the machine have been oriented with the machine's operating procedures and are aware of all safety precautions.

- 1. Unplug power cord before making any adjustments or repairs.**
- 2. A qualified electrician should perform electrical repairs.**
- 3. Do not operate machine on a wet floor.**
- 4. Use extreme caution when replacing cutter blades.**
- 5. Keep hands clear of all moving components while machine is running.**
- 6. Keep loose clothing and articles away from all moving components while machine is running.**
- 7. Keep machine unplugged while not in use.**
- 8. Do not allow children near the machine.**
- 9. Keep machine clean of all plastic wrap, carpet fibers, and all other debris.**
- 11. Ensure machine is stationary and will not roll on casters.**
- 12. Do not remove chain covers except for servicing.**
- 13. Keep space beside cradles (dumping areas) clear.**

ABOUT THE MACHINE

The Accu-Cut Q-7 cut and roll machine consists of two sets of steel rollers that are referred to as cradles. The side where material is loaded is the **load side cradle**, while the opposite side is the **roll up cradle**. The roll up cradle is designed to run slightly faster than the load side to ensure a tight roll up of material. Each cradle is chain driven by heavy duty UL & CSA approved electric motors.

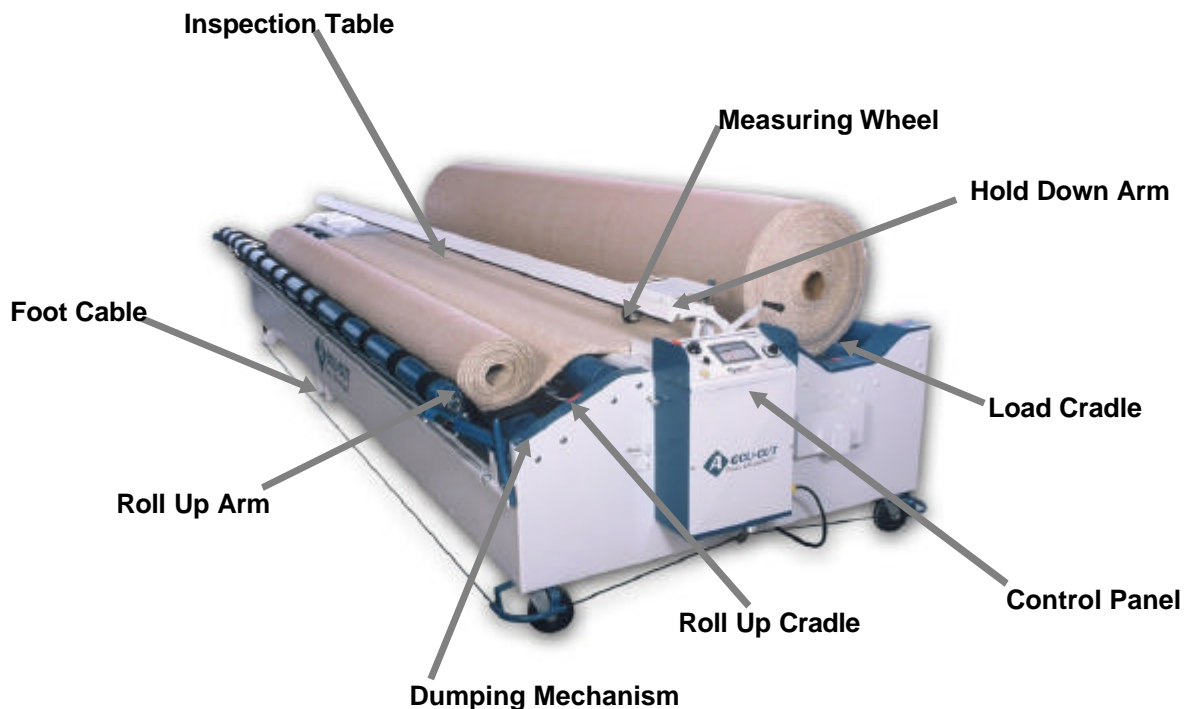
The Q-7 is operated from the **control panel**, which includes the **directional controls**, **variable speed control**, **cutter controls**, and the **electronic, auto-stop counter**.

The Accu-Cut Q-7 measuring system is extremely accurate. It consists of a large diameter, knurled **measuring wheel** located in a cutout of the **inspection table** below the **hold down arm**. The measuring wheel is connected to an advanced encoder which communicates with the electronic, auto-stop counter to provide you with an accurate measurement.

The cutter assembly on the Q-7 consists of 5 1/2" circular blade positioned within a cutter assembly inside the **cutting track**. The Q-7 also has a **cutter bar** that not only covers the blade while making a cut but also holds the material tight. The cutter assembly is chain driven by a dedicated cutter motor.

A wrap around **foot control cable** is provided to operate the machine "hands free" while inspecting wrapping, unwrapping, or tending the roll.

The Q-7 also includes a **dumping mechanism** on the **roll up cradle** that will quickly and simply offload the cut material onto the floor allowing another cut to be made without using a forklift to unload the cut piece.



OPERATING PROCEDURES

PROCEDURES FOR UNROLLING AND CUTTING

Loading the material

Place the material on the **load side cradle**, making sure the leading edge of the material is feeding across the **inspection table** from the **bottom of the roll** with the **pile side up and the backing down** – vinyl can be measured pattern up or down. Make sure the roll is positioned so that the edge of the material is between the **measuring wheel** and the **cutter assembly** (see photo 1A).



Photo 1A

Unwrapping new rolls and tightening loose rolls

After loading the wrapped roll, cut the plastic the full length of the roll and at each end. Position the load cradle **roller directional switch** in the reverse position, and then step on the **foot cable control** while pulling off the plastic wrapping.

If you have a loose roll, run the **load cradle** rollers in reverse by placing the load cradle **roller directional switch** in the reverse position and pressing the **jog button** or stepping on the **foot cable control** to activate the load cradle rollers. Continue to run the rollers in reverse until the roll has tightened.

Positioning the material

Raise the **hold down arm**, lifting it off the **measuring wheel**. Set both **roller directional switches** to forward. Step on the **foot cable control** or press the **jog button**, advancing the material to the center of the **cutting track** (see photo 3A). Now lower the **hold down arm** back on to the **measuring wheel**. Failure to lower the **hold down arm** will result in an inaccurate measurement.

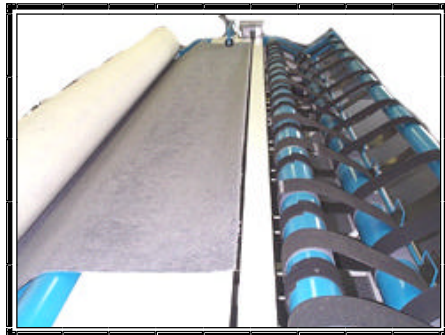


Photo 3A

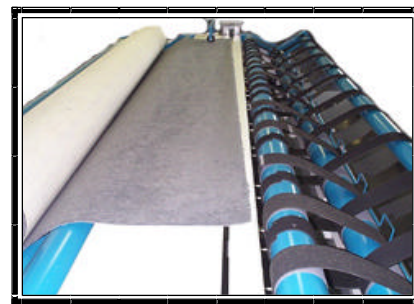


Photo 3B

Note: If the material is off square, line the trailing edge of the material with the **cutting track** (see photo 3B).

Roll-Improver

This feature is useful to position the roll in the load cradle, as well as squaring the leading edge of the material with the cutting track. To activate the roll improver turn and hold the switch in the direction you wish the roll improver to move. Engage the load side rollers to re-position the material within the cradle. With practice, the roll improver can also be useful in assisting to straightly re-roll a severely coned roll.

Note: Release the control switch when the roll improver reaches its extended position. Failure to release the switch could result in the roll improver sticking in the extended position.



Photo 3C

Entering the cut length

With the material lined up in the center of the **cutting track** the counter must now be reset to zero by pressing “Count Clear” button on PLC. The desired cut length can now be programmed.

To enter your desired cut length:

- ◆ **Press clear** to erase the previous measurement – *in this example the previous measurement was 18’ 6” (see photo 4A)*
- ◆ **Enter the number of feet & inches to be cut** – *in this example 12’ 9” (see photo 4B)* –Press enter
- ◆ **If 12 ft. 9 inches enter 1209 if 12 ft. 11 inches enter 1211**

The desired cut length is now entered into the counter and the roll up process can begin.



Photo 4A



Photo 4B

Note: ENSURE THAT CARPET 1 IS SELECTED. This will be indicated in the display by “CARPET 1” Failure to have carpet 1 selected could result in inaccurate measurements.

Setting the speed control

The speed at which the rollers turn can be quickly and simply adjusted by turning the **variable speed control knob** located on the control panel. Keeping the speed at a low setting when beginning the roll up process and increasing the speed as the roll increases in size is recommended.



Photo 5

Rolling up the material

After setting the **counter**, either press the **hand control button** or step on the **foot cable control**, while pulling the material across the inspection table and under the hold down arm by hand. Advance the leading edge of the material until it is half way between the last two rollers on the **roll-up cradle** (see *photo 8A*). Pulling up the **roll-up arm** will fold over the material and start the roll-up procedure. If using a tube, place the tube on top of the material, then pull up the **roll-up arm** folding the material over the tube (see *photo 8B*).



Photo 8A



Photo 8B

Continue to apply pressure with the **roll-up arm** until the material has made six or seven revolutions (see *photo 8C*). At this time the **roll-up arm** can be lowered to its original position (see *photo 8D*). Now the machine can be operated while stepping on the **foot cable control** allowing the roll to easily be monitored and adjusted if necessary.



Photo 8C



Photo 8D

Monitoring the roll

Make sure the roll-up is started tight and square. If the roll begins to “walk” one way or the other, move to that end of the roll and push the roll in towards the **inspection table** as it rolls. This will cause the side walking to catch up with the other side straightening the roll and reducing any “coning” of the roll. Do not be concerned if the roll appears somewhat loose. After the cut has been made, or the end of the roll is reached, continuing to rotate the roll in the **roll-up cradle** will cause the material to tighten.

Cutting the material

When the counter approaches the programmed measurement the machine will automatically slow down and stop precisely at the programmed length. Before activating the cutter ensure the material is tight across the **cutting track**. If the material is not tight, positioning the roll-up cradle **roller directional switch** in forward and the load cradle **roller directional switch** in reverse and briefly pressing the **hand control button** will tighten the material across the **inspection table**.

Once the material is tight across the **cutting track**, engage the cutter by turning and holding the **cutter directional switch** to the direction desired then press and hold down the **cutter safety button**. Releasing the button or switch will stop the cutter. When the cutter has reached the end of the **cutting track** it will automatically come to a stop. The cutter cuts in both directions allowing it to be left at either end of the machine after a cut has been made.

Note: When processing 15' wide material the cutter must be stored at the **control panel** end of the machine. If the cutter is left at the far end of the machine it will interfere with the material as it moves across the **inspection table**.

Wrapping the cut length

To wrap the cut length, keep the roll-up cradle **roller directional switch** in the forward position and place the load cradle **roller directional switch** in the off position. Place the wrapping material inside the flap of the material you are wrapping. Stepping on the **foot cable control** will rotate the roll, letting you wrap the material while it is still on the machine.



Photo 11A



Photo 11B

Caution: Keep hands and all loose clothing away from moving parts.

Sharpening the blade

The cutting system on the Arrow is equipped with a self-sharpening mechanism – it is not necessary to remove the blade for sharpening. When the blade reaches the front end of the machine a “clutch” engages leaving the blade stationary while rotating against the sharpening mechanism. To sharpen the blade simply keep the cutter engaged when it reaches the end of the cutting track. It is recommended that the blade be sharpened for 7 to 10 seconds after every 50 cuts.

Dumping the cut length

The cut length can be dumped on to the floor by pulling the **dumping mechanism** that lowers the **roll-up arm** into the dump position. When the **roll-up arm** is in the dump position the cut length will fall to the floor. For smaller cut lengths it may be necessary to engage the roll-up side cradle to dislodge the material from the cradle to the floor or simply push the material to the floor by hand.



Photo 12A



Photo 12B



Photo 12C

Dumping
mechanism

Caution: Make sure the area is clear before dumping the cut length.

MEASURING ROLL BALANCES

To determine the balance remaining on a roll or to check the length of a new roll perform the following procedures:

- ◆ Program the counter following the steps detailed under 'Entering the cut length' on page 7. **Enter a large number i.e. 600'** – since the length of the roll is unknown it is necessary to enter a number larger than the estimated length of the roll
- ◆ Line up the edge of the material to be measured to the center of the **measuring wheel** pile side up. (see photo 13)
- ◆ **Press reset/clear** to reset the counter to zero
- ◆ Follow the procedures for "Rolling up the material" detailed on page 8
- ◆ Continue rolling up the material until the final few feet of the roll is reached. At this point slow down the speed of the rollers using the **variable speed control** and continue advancing the material until it is centered with the **measuring wheel**.
- ◆ The measurement indicated on the counter is the length of the material.



Photo 13

Note: Failure to slow down the rollers at the end of the measurement may result in the measuring wheel continuing to turn *and* measure even after the trailing edge of the material has passed the wheel. This will result in an inaccurate measurement.

PROCEDURES FOR REVERSE ROLLING

Reverse rolling is an effective manner of merchandising remnants. Several dealers even merchandise full rolls pile side out. An optional **top counter** and **pinch roller** may be necessary for reverse rolling full rolls. Contact your Accu-Cut representative for details on these options.

The procedures for reverse rolling are identical to the procedures for “*Measuring roll balances*” (page 10) with the following exceptions:

Rolling up the material

After setting the **counter**, either press the **hand control button** or step on the **foot cable control**, while pulling the material across the inspection table and under the hold down arm by hand. Advance the leading edge of the material until it is half way between the last two rollers on the **roll-up cradle** (see photo 14A). Position the material on top of the tube. Use of a tube is strongly recommended.

Leave the load cradle **roller directional switch** in the forward position but place the **roll-up cradle roller directional switch** in the reverse position.

Pull up the **roll-up arm** and engage the rollers by stepping on the **foot cable control** or pressing the **jog button**. The **roll-up arm** will cause the material to begin rolling in reverse around the cardboard tube and start the roll-up procedure. (see photo 14B). After the material has made several revolutions lower the roll-up arm. (see photo 14C).

NOTE: If the material is walking up on the inspection table momentarily shut off the roll-up cradle to allow load cradle to catch up.



Photo 14A



Photo 14B



Photo 14C

A few words about reverse rolling

Reverse rolling is a simple process but often takes time to perfect and learn – be patient. There are numerous times when and how reverse rolling can occur. We have tried to list the most common below.

Reverse rolling the balance of a roll after making a cut:

After removing the cut length from the roll-up cradle, reverse the material in the load cradle so that the leading edge is centered with the measuring wheel. Reset the counter to zero then follow the steps at the top of the page. The measurement indicated on the counter is the length of the material.

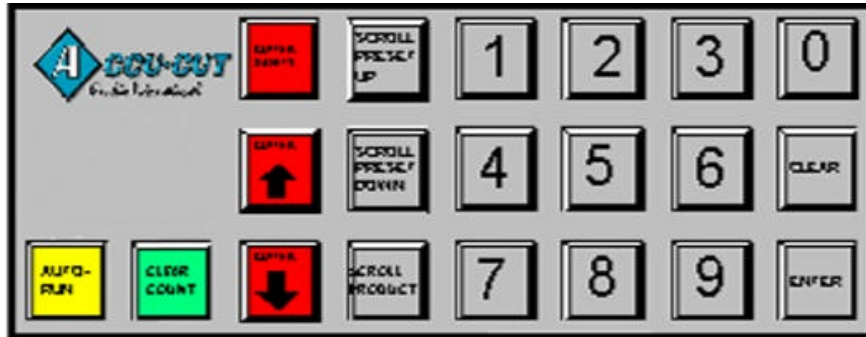
Reverse rolling with the material coming off the top of the roll and pile side down:

If the length of a roll is already known, some operators will choose to reverse roll the material having the material feed from the top of the roll with pile side down. This method allows the operator to keep roll-up cradles in the forward position, load side reverse and use the roll-up arm in the same manner as when making a cut. *Please note that it is not possible to get an accurate measurement with the pile side down.*

COUNTER OPERATING INSTRUCTIONS Version 2.01

The Q-7 is equipped with an advanced 16-bit microprocessor P.L.C. unit to ensure accurate measurement. To communicate with this P.L.C. we have provided a user-friendly interface. Simply enter your commands into the keypad and allow the machine to do the work for you.

Keypad Familiarization



- Gray keys- Data entry / Presets / Product
- Yellow key- Auto run
- Red keys- Cutter and cutter safety (Q-7)
- Green key- Clears measured length

Password Protection

This unit is equipped with a “Password Protection” feature. Each time the machine is turned off or is unused for a designated time the machine prompts the user to

“ENTER PASSWORD”

- To enter the password:
1. Press CLEAR to remove asterisks
 2. Type in the four digit security code (Factory preset is “4321”)
 3. Press ENTER

You have now gained access to the machine.

Setting Preset Length

This unit is equipped with a multi-preset feature that enables the user to enter the required length of material into the machine’s memory. This will prompt the machine to automatically slow down the rolling process approximately one foot before the desired length has been reached. It then slowly rolls to the preset length.

- To enter a preset length:
1. Press CLEAR to erase the previous measurement
 2. Type in the desired amount of feet & inches (last 2 digits are inches if imperial or centimeters if metric)
 3. Press ENTER

Your desired length is now entered into the counter. You are now ready to roll and cut the product.

Multi-Cutting - Pre-Programmable Lengths

This unit is equipped with nine pre-programmable lengths. You now have your first preset selected. To change to another preset press SCROLL PRESET up or down. This will change your pre-programmed length. Press clear to change the pre-programmed length. . To program all 9 presets simply repeat the procedure described in "Setting Preset Length". Once you have completed this, the lengths are stored in the memory of the machine and remain present even when the machine is unplugged. This feature is very useful when cutting a series of same size pieces.

Rolling the Material

1. Bring material to the center of the cutting bar.
2. Verify that your desired cut length is in the display
3. Press CLEAR COUNT to clear the counter
4. Advance the material to the middle of the second set of belts
5. Lift the roll-up cradle
6. Run the machine until it stops

Cutting the Material

Now that you have accurately measured the material you are ready to proceed with a cut. Pressing the cutter and cutter safety button controls the bi-directional cutter. A beep provides the user with a warning that cut is being performed. The PLC features a cut counter which tracks the number of cuts the machine has made. This is helpful to help gauge your blade life expectancy.

CUTTER and CUTTER SAFETY CUTTING CARPET NOW
(CUT #)

Multiple Scale Factors

Sometimes different products grip the count wheel differently due to their adhesive nature. We have taken this into consideration by allowing this machine to retain six separate scale factors to accommodate a variety of materials. Different product may be selected at any time by pressing SCROLL PRODUCT. This changes the screen to display another product.

For information on modifying the product measurement settings and setting the scale factors contact Accu-Cut service at 1-800-527-7057.

Master User's Menu

This counter may be tailored to better suit the user of the machine. When 2 fingers are depressed on the logo a MASTER PASSWORD is brought up.

MASTER PASSWORD

To enter the master password

1. Press CLEAR to remove asterisks
2. Type in the 4 digit master password
3. Press ENTER

Upon entering the correct password you now have gained access to the Master Users Menu.

The word menu will then appear followed by a scrolling line below it:

MENU

1. CHANGE PASSWORD
2. CHANGE TIMER
3. CHANGE BLADE
4. METERIC/IMP
5. SLOW DOWN
6. CALIBRATION
7. FS AUTO RUN

The user selects one of the options by pressing 1, 2, 3, 4, 5, 6 or 7 and now has gained access to their desired feature.

Changing the Password

The four-digit security code is changeable for your convenience.

To change the code:

1. Access the master menu as described above
2. Press 1

The following then appears: ENTER NEW PASSWORD

To enter a new password:

1. Press CLEAR to remove asterisks
2. Type in a new password
3. Press ENTER

Changing the Password Timer

When the unit is left idle for a period of time, the user is locked out. However, that period of time may be varied by the user for up to 999 seconds. *If 0 is entered, the password timer and password is disabled.*

To change timer

1. Access the master user menu as described earlier
2. Press 2

The following screen now appears: NEW PASSWORD TIME
SECONDS

To change the timer value

1. Press CLEAR to remove old timer value
2. Type in the desired time in seconds
3. Press ENTER

You have now changed the length of time the machine requires before it turns itself off without input.

Factory preset is 120 seconds. If the machine will be located in a publicly accessible location we recommend a time of 15 seconds. The operator should never leave the machine unattended while the password is active.

Change Blade Reminder

This counter is capable of reminding the user when the blades should be replaced on their machine. Follow the steps detailed below to change the number of cuts made before the reminder is displayed. *Changing the number of cuts to 0 disables this feature.*

1. Access the Master Menu as described above
2. Press 3

The following screen is now displayed:

CHANGE BLADE AFTER
CUTS

To change the number of cuts:

1. Press clear
2. Type in the desired amount of cuts
3. Press enter

You have now changed the number of cuts before the following message is displayed:

TIME TO CHNGE BLADE
PRESS 0

The machine is now locked out and will not respond until the correct password is entered.

Metric/Imperial Measurement

This counter is able to measure in feet and inches as well as centimeters. It may be used in imperial mode, metric mode, or be switched between the two at the press of a button.

To change measurement mode: 1. Access the master menu
 2. Press 4

The following then appears: 1 IMPERIAL 2 METRIC

Press the number of the desired mode in which you wish to count in.

Slowdown

The user is now able to determine how many inches before reaching the programmed length the machine enters the slow down mode.

To access slow down: 1. Access the master menu
 2. Press 5

The following then appears: SLOW DONE __”
 BEFORE STOPPING

To change the length: 1. Press CLEAR
 2. Type in the desired length in inches
 3. Press ENTER

Your machine will now slow down your entered amount of inches before stopping.

Calibrating the Machine

The calibration of all 6 scale factors of this machine may be changed using the master menu.

CAUTION: Do not adjust the scale factor. For technical support please contact Accu-Cut service at 1-800-527-7057.

Foot Switch Auto Run

This machine is capable of rolling automatically to a stop without having a finger on the jog button (although the user must always pay full attention to the machine). This feature can also be useful when wrapping material. Instead of having to keep one foot on the cable the user steps on the cable once and the rollers turn until the foot cable is stepped on a second time or by pressing the auto run button.

To activate auto run: 1. Access the master menu
 2. Press 7

The following then appears F.S. AUTO RUN
 1 YES 2 NO

To activate feature: 1. Press CLEAR
 2. Type in 1 to activate
 3. Press ENTER

The feature has now been activated

PREVENTIVE MAINTENANCE

Weekly:

1. **Check conditions of belts and belt lacing.** Repair, if possible, any damaged belt lacing contact Accu-Cut for replacement belts.
2. **Check control switches** for proper operation.
3. **Check operation of counter assembly.**
 - ◆ Check that measuring wheel is secure and does not have any cracks or excessive wobble.
 - ◆ Check the “grooves” or “knurls” on the measuring wheel. Ensure the wheel does not have smooth or bald spots.
 - ◆ Make sure wheel is at proper height above opening in the table. Wheel must be at least a credit card thickness above opening or the pads on either side of the opening.
 - ◆ Check condition of measuring wheel shaft and its connection to the counting device. Make sure the shaft is secure and not bent.
4. **Clean machine** of debris and/or carpet fibers, particularly on or around the motor areas, chains, sprockets and cutting track.
5. **Check tension on all cables and chains.** Adjust as necessary for proper operation.
6. **Check calibration of counter.** Follow the Test Strip Instruction sheet in this manual to check your calibration. Contact your Accu-cut Service Representative before attempting re-calibration.

Monthly:

1. **Check the alignment** of all sprockets, pulleys and rollers for proper operation.
2. **Check allen screws** on all sprockets, pulleys and locking collars.
3. **Check condition of the electrical outlet** on machine. Ensure outlet is secure.
4. **Check gearboxes** for proper oil level. Use 90-weight gear oil, if needed.
5. **Lubricate all drive chains** with light oil.

Yearly:

1. **Lubricate all roller bearings** with grease gun
2. **Lubricate all bearings for cutter drive assembly** with grease gun.
3. **Lubricate counter shaft bearings** with grease gun.
4. **Lubricate swivel castor wheels** with grease gun.

CIRCULAR CUTTER MAINTENANCE

How to perform maintenance on your cutter:

1. Remove blade from cutter assembly. Flush cutter block assembly and clutch mechanism, (white metal piece attached to bottom of the blue cutter block assembly), with an aerosol spray such as WD-40 or similar product. Run the cutter up and down table a few times to remove excess cleaner. Wipe dry as much as possible.
2. Use a Silicone or Teflon based spray to lubricate all moving parts of the cutter assembly. Avoid spraying Silicone into the bronze bushings of the clutch mechanism.
3. Clean blade and spray with silicone or Teflon spray.
4. Inspect pulleys and drive belt on cutter motor. Make sure the belt is in good condition, (no cuts, fraying or glazed look on its sides), and is kept tight at all times. Make sure there is no foreign matter on the pulleys or drive belt.

This procedure only takes about 10-15 minutes to complete. Depending on the amount of cuts you make a day will determine how often this procedure should be repeated.

Example: 50 or more cuts a day – once a week.

***Do not over tighten the cutter chain or clutch assembly. Over tightening of these may cause failure of assembly and / or cutting operation. The cutter chain should be tight enough so the chain will not slip off of the sprockets but also, not so loose that the upper and lower part of the chain “slaps” together as the cutter moves down the cutting track. If after maintenance of the cutter assembly and chain adjustment, the cutter is still not cutting correctly, make $\frac{1}{4}$ turn on each of the tension bolts on the “legs” of the clutch mechanism. Ensure that each spring on those bolts are compressed equally. Again, please do not over tighten clutch mechanism.**

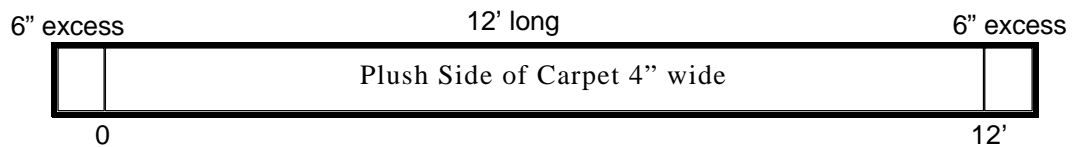
***Depending on the amount of cuts you make per day, the blade should be flipped over to ensure proper sharpening of the cutter blade. If you make over 50 cuts per day, you should flip the blade over at least once a week. Do not forget to use a Silicone or Teflon spray on the blade to help prevent latex build up on the blade.**

In following these procedures you will find that your cutter will operate to its fullest capabilities and prolong the life of your cutting assembly. If you have any questions concerning these procedures contact the Accu-Cut Service Department at 1-800-222-8288.

TEST STRIP INSTRUCTIONS

How to make a test strip:

1. Cut a strip of carpet that is 4 " wide by 13' long.
2. Center your tape measure on strip of carpet.
3. Draw a line at 0 and a line at 12'.
4. DO NOT cut off excess material.

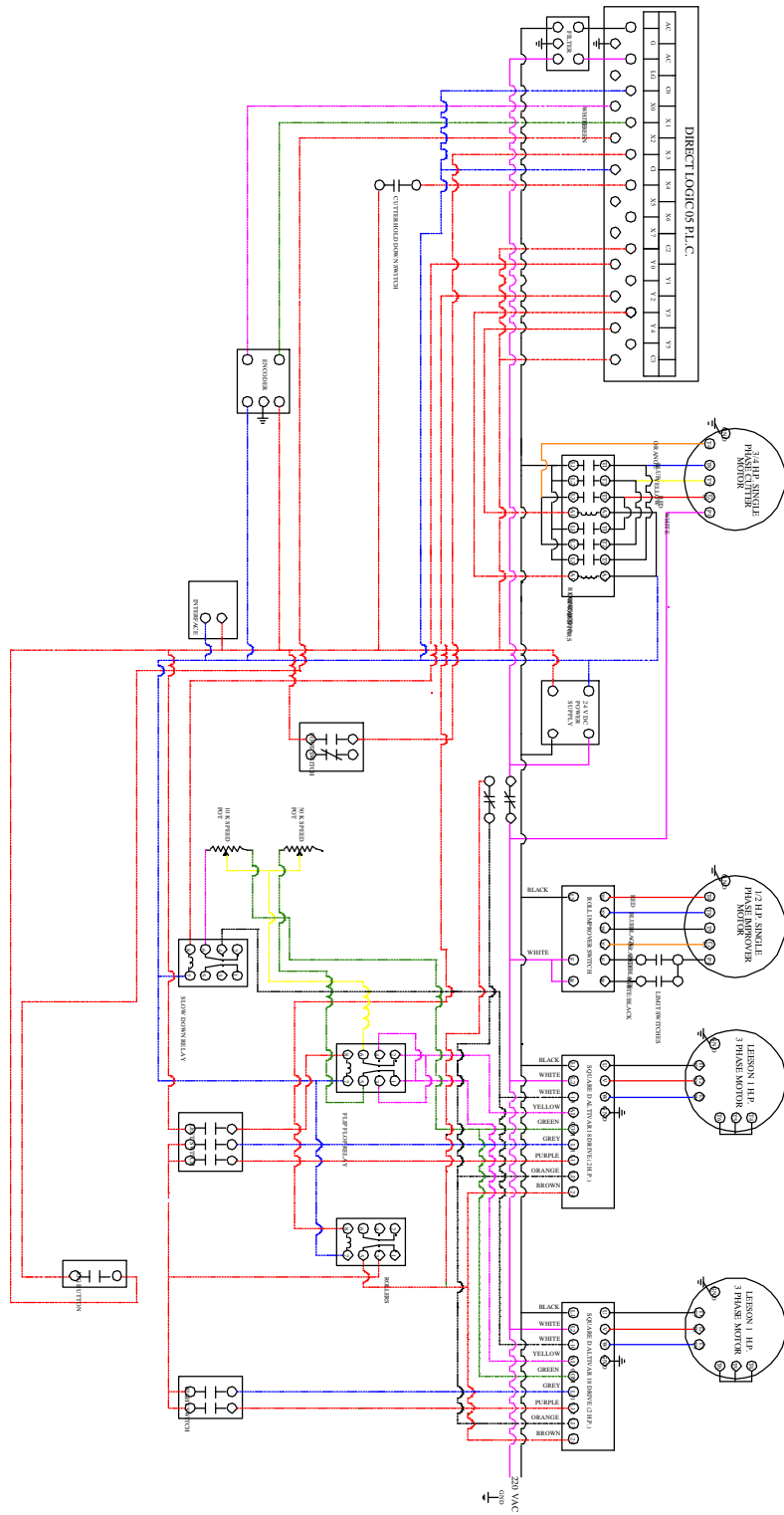


How to use a test strip:

1. Unwind test strip plush side up, line up the black hold down arm over wheel with 1st black line on test strip.
2. Reset counter to zero.
3. Slowly pull test strip across the measuring wheel.
4. Stop at 2nd black line, counter should read 12 feet.
5. Repeat the test 3 or 4 times.
6. If measurement is off contact your Accu-Cut Service Representative.

ELECTRICAL DIAGRAM

'Q-7' model



Certificate of Warranty

STATEMENT OF LIMITED WARRANTY

BROCKIE INTERNATIONAL, INC. ("BROCKIE") warrants to the original purchaser ("Purchaser") of this ACCU-CUT machine that should it prove defective by reason of improper workmanship and/or material:

- a. **Labor.** For one year from the date of delivery, BROCKIE will provide labor for a warranty repair without charge to Purchaser.
- b. **Parts.**
 - i. DURING THE FIRST YEAR FROM THE DATE OF DELIVERY, BROCKIE will repair or replace, at its option, any defective part without charge to Purchaser for the part. Parts used for replacement will be warranted for the remainder of the original warranty period.
 - ii. DURING THE SECOND YEAR FROM THE DATE OF DELIVERY, BROCKIE will repair or replace, at its option any defective part paying for 66% of the cost of the part. The Purchaser shall be responsible for 34% of the cost of the part.
 - iii. DURING THE THIRD YEAR FROM THE DATE OF DELIVERY, BROCKIE will repair or replace, at its option any defective part paying for 33% of the cost of the part. The Purchaser shall be responsible for 67% of the cost of the part.

1. TO OBTAIN WARRANTY SERVICE, contact Brockie International, Inc. at the address and phone number below. BROCKIE will only pay for warranty service performed by a Brockie International, Inc. authorized technician authorized by BROCKIE to perform warranty service on your machine.

2. Buyer shall have the right to inspect the machine(s) before acceptance or payment. THERE SHALL BE NO IMPLIED WARRANTY WITH REGARD TO DEFECTS WHICH AN EXAMINATION PRIOR TO ACCEPTANCE OUGHT TO REVEAL. Buyer shall accept or reject any machine with three (3) days of receipt by Buyer.

3. THE LIMITED WARRANTY SHALL NOT APPLY TO any defects resulting from, but not limited to: abuse, lack of maintenance, unapproved modifications, overloading, power surges, inadequate power supply including extension cords, misuse, fire, flood or acts of God such as lightning. This limited warranty does not include normal wear and tear of parts or equipment including, but not limited to, belts, blades, blade holder assemblies, and grip tape. BROCKIE reserves the right to repair or replace, at its sole option, any defective part and/or any components, within the warranty period. THERE ARE NO WARRANTIES WHICH EXTEND BEYOND THE DESCRIPTION ON THE FACE HEREOF.

4. BROCKIE WILL SHIP REPLACEMENT PARTS via normal ground freight, pre-paid to the Purchaser during the warranty period. *It is the responsibility of the purchaser to return all defective parts, freight pre-paid, to BROCKIE within 30 days for warranty consideration.* Any extra freight costs for special shipping, such as airfreight or overnight shipping, is the responsibility of the Purchaser.

5. BROCKIE INTERNATIONAL, INC.'S LIABILITY AND PURCHASER'S REMEDIES UNDER THIS WARRANTY SHALL BE SOLELY LIMITED TO THE REPAIR AND/OR REPLACEMENT OF DEFECTIVE PARTS AND SHALL NOT BE LIABLE UNDER ANY CIRCUMSTANCES, FOR CONSEQUENTIAL OR INCIDENTAL DAMAGES, LOST INCOME DUE TO DOWNTIME, PERSONAL INJURIES, DAMAGE TO PERSONAL PROPERTY OR LABOR COSTS.

6. ANY EXPRESS OR IMPLIED WARRANTY NOT PROVIDED HEREIN, AND ANY REMEDY WHICH, BUT FOR THIS PROVISION, MIGHT ARISE BY IMPLICATION OR OPERATION OF LAW, IS HEREBY EXCLUDED AND DISCLAIMED.



Brockie International, Inc.
28114 CR 561
Tavares, Florida 32778
352-742-0902 / 800-222-8288